

**PRODUCT CODE: WBL**

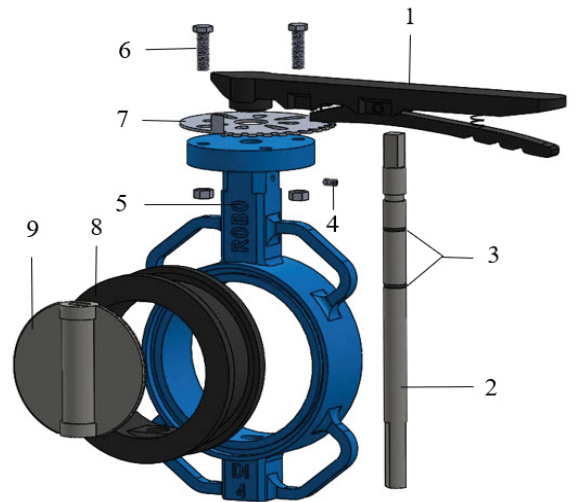


## ■ SPECIFICATION

- Design and Manufacture : BS 5155, API 609
- Face to Face : ISO 5752  
BS EN 558-1
- Connection End : BS4504  
JIS B2220  
DIN2632  
ASME B16.10
- Pressure rating : PN10/16, JIS10K/JIS16K
- Working temp : -10 ~ 80°C

## ■ PARTS LIST & MATERIAL

No.	Part Name	Material	Material Code
1	Hand lever	Carbon Steel	AISI 1025
2	Shaft	Stainless Steel	AISI 304
3	O-ring	Rubber	EPDM
4	Bolfs	Stainless Steel	AISI 304
5	Body	Ductile Iron	ASTM A536
6	Bolfs	Stainless Steel	AISI 304
7	Disc	Stainless Steel	AISI 304
8	Gasket	Rubber	EPDM
9	Disc	Stainless Steel	AISI 304



## ■ DIMENSION

Size	Model-Size	L	L1	H1	H2	H3
DN50	WBL-050	43	215	76	128	30
DN65	WBL-065	46	215	86	138	30
DN80	WBL-080	46	215	98	147	30
DN100	WBL-100	52	255	106	164	30
DN125	WBL-125	56	255	123	178	30
DN150	WBL-150	56	255	142	188	30

